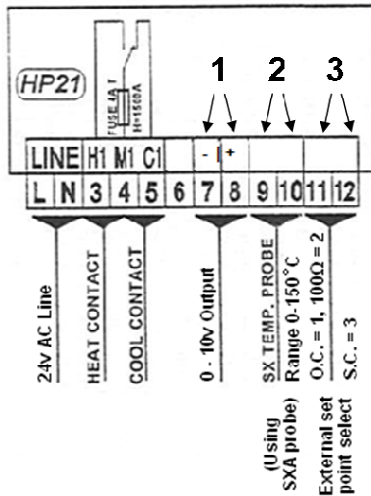


Conversion from HP21A to HP21B

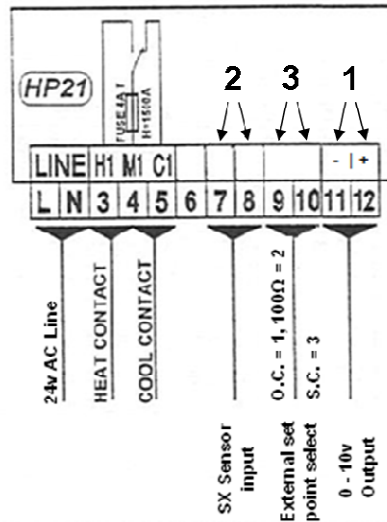
In order to replace a Pola HP21A with a new version Pola HP21B will require the rearrangement of wires to 3 pairs of terminals:

	Previous terminals	New terminals
1) 0-10V output	7 (-ve) - 8 (+ve)	11 (-ve) - 12 (+ve)
2) SX sensor input	9 - 10	7 - 8
3) External set point select	11 - 12	9 - 10

HP21A



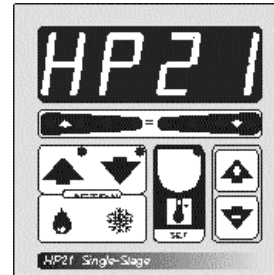
HP21B



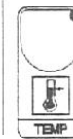
HP21B

SL 3.0

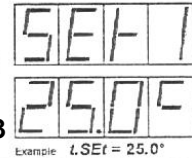
1,2 or 3-level thermostat / proportional controller



MAIN SETTING (Run Mode)



Press SET (key lamp flashes): this message will be displayed instead of the ° Set temperature value.



Press + or - to modify, press SET to modify sets 2 & 3

Example: L.SET = 25.0°

Default settings

Set.1 (25 °C) Lamp OFF IN2. = OPEN
 Set.2 (35 °C) Lamp FLASH IN2. = 100Ω
 Set.3 (80 °C) Lamp ON IN2. = CLOSED

VIEWING TEMPERATURE RECORDING



Press + : will be displayed followed by °Maximum Temperature Recording.
 Press - : will be displayed followed by °Minimum Temperature Recording.

Values recorder are memory permanent stored: for memory clear keep pushed + keys for more than 3 seconds: CLEA message will be composed on display before clearing operation.

PRESET PROGRAMS (Bootstrap).



At delivery this processor is ready programmed with the following (variable) settings.

To return to these settings at any time:

Power off the processor, press SET key and keep it pressed giving power on: boot message will be displayed (release now SET key). t.SET = 25.0°

The COST values are shown in COST Programming

"HAND MODE"

In some start-up conditions may be useful to work in "hand" mode.

Power off the processor, press + key and keep it pressed giving power on:

HAnd message will be displayed (release now + key).

Press + : - Press SET to activate Relay 1, or :

Press + : - Press SET to activate 0 - 10v out

You can press SET for a least two seconds to escape and return to the Run Mode.

COST PROGRAMMING (System constants)



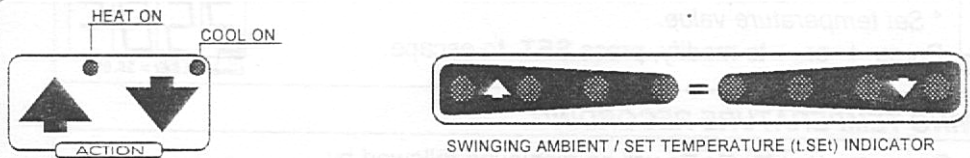
These settings refer to the mode operation of the system and must be made on initial start-up. Press - / + together for at least one second. the message *C.O.S.t.* will be displayed. Press then repeatedly **SET** until interested variable's message is displayed (see table below) : variable value and related message will be displayed. Press + or - to set a new value and then **SET** to confirm. The next system constant will then appear. You can press **SET** for a least two second to escape and return to the *Run Mode*.

Mess.	Value	Meaning	Note
diFF	3°	Relay out Diff, 0° - 25°	*1)
R.dIF	3°	Relative relay out adjustment, -25° - 25°	*1)
ProP	5°	0-10v out proportional band, 0° - 25°	
R.Pro	0°	Relative 0-10v band adjustment, -25° - 25°	
bArG	6°	Bargraph band, 0° - 25°	
Ad.t1	0°	Adjustment for set 1, -25° - 25°	*2)
Ad.t2	0°	Adjustment for set 2, -25° - 25°	*2)
Ad.t3	0°	Adjustment for set 3, -25° - 25°	*2)
Set.	85°	Maximum Set.1/2/3 value 0° - 150°	
n.SET	=3	Number of sets, =1, =2, =3	

*1) For more details see *Operating Diagrams*.

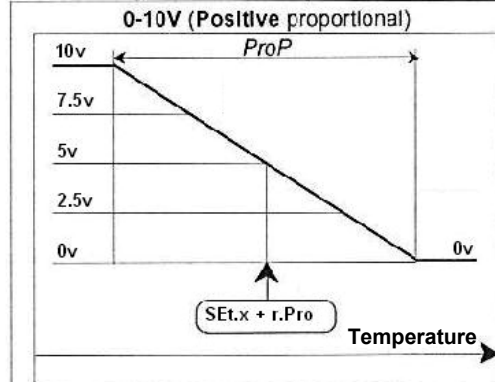
*2) You can correct the readings on the various sensors (+ or -).

STATE INDICATION LAMPS

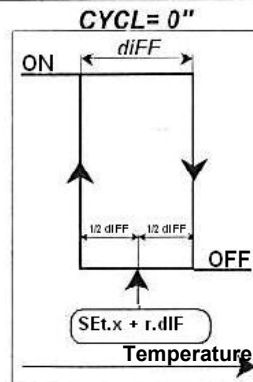


OPERATIVE DIAGRAMS

0-10V Proportional Output



Relay output



INSTALLATION

How to connect the sensors

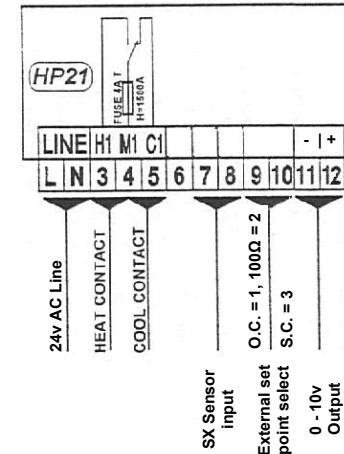
Connect the sensor provided as shown in the diagram. For remote connections use a standard 0.5-square millimeter two-pole wire, taking great care over the connections, by insulating and sealing the joins carefully. -O.C.- is displayed when the temperature sensor wiring is open, -S.C.- is displayed when the temperature sensor wiring is short circuit.

How to connect the line

Connect line on terminals L-N.

How to connect the contacts

Connect terminals on the terminal block (contacts up to 4AMP.AC1).



As it company policy to continually improve the products the Manufacturers reserve the right to make any modifications thereto without prior notice. They cannot be held liable for any damage due to malfunction.

POLA® CE

951123